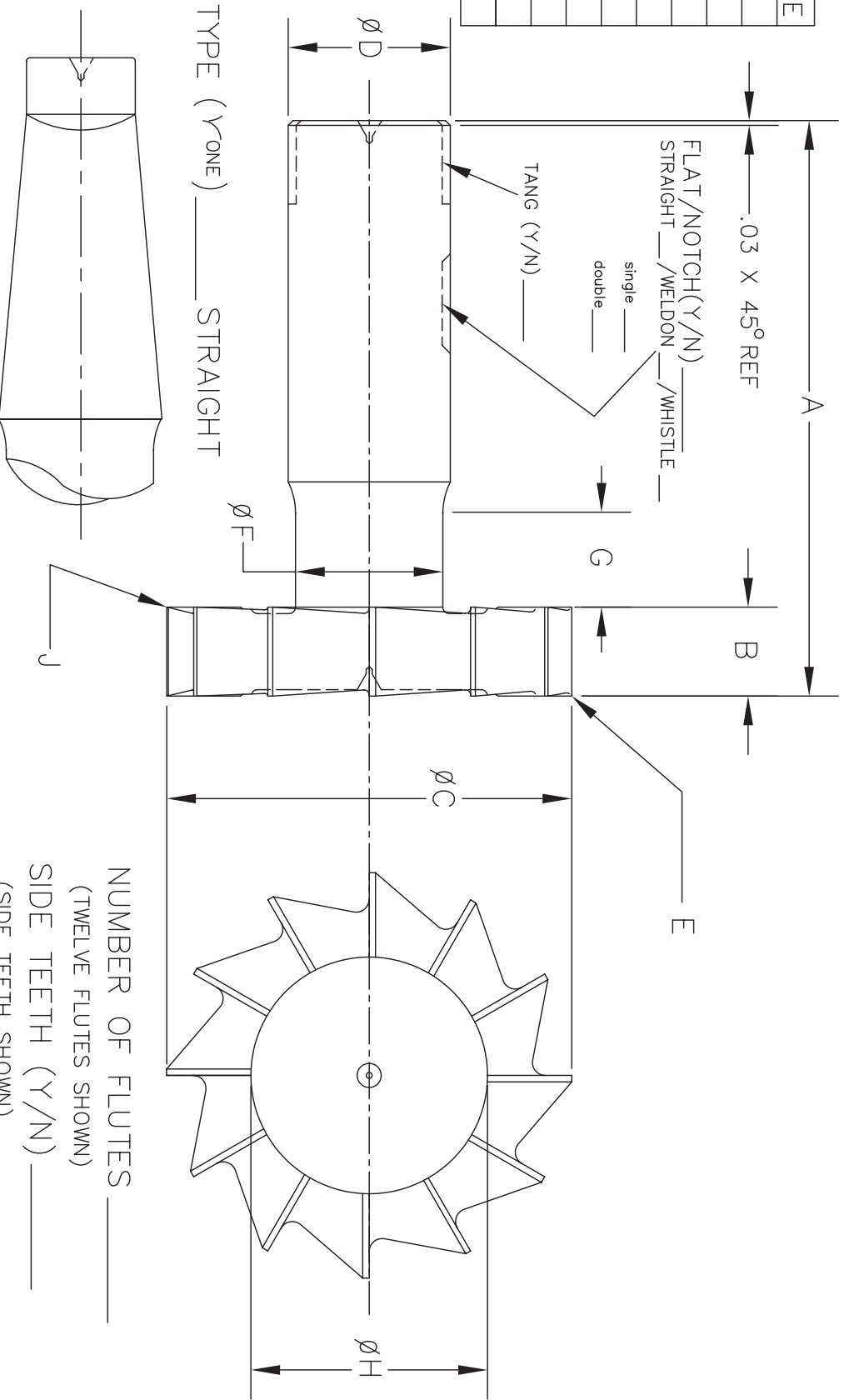


DIMENSION/TOLERANCE	
A O.A.L.	
B CUTTER WIDTH	
C DIAMETER	
D SHANK DIA.	
E RAD./CHMF.	
F NECK DIA.	
G NECK LGTH.	
H MIN. CUT DIA.	
J RAD./CHMF.	



TYPE (✓ONE) _____ TAPER SHANK
 MORSE _____ B&S _____ JARNO _____
 TOOL MAT'L. (✓ONE)
 _____ H.S.S.
 _____ COBALT
 _____ CARBIDE TIPPED
 _____ SOLID CARBIDE
 _____ CARBIDE/HEADED
 _____ COATING _____

COMPANY	
NAME	
DATE	
SIGNATURE	
TITLE	
SPECIAL KEY SEAT CUTTER	
ALL DIMENSION ARE IN INCHES UNLESS OTHERWISE SPECIFIED TOLERANCE IS: X ±1.00' .XX ±.010 .XXX ±.005 .XXXX ±.0005 BREAK ALL SHARP EDGES	
AMERICAN TOOL SERVICE, INC. 7007 TRAFALGAR STREET FORT WAYNE, IN 46803 PH.260-493-1230 FX.260-493-6702	
DRAWING NO.	

NUMBER OF FLUTES _____
 (TWELVE FLUTES SHOWN)
 SIDE TEETH (Y/N) _____
 (SIDE TEETH SHOWN)
 STRAIGHT TOOTH(✓ONE) _____
 STAGGER TOOTH(✓ONE) _____

NOT TO SCALE