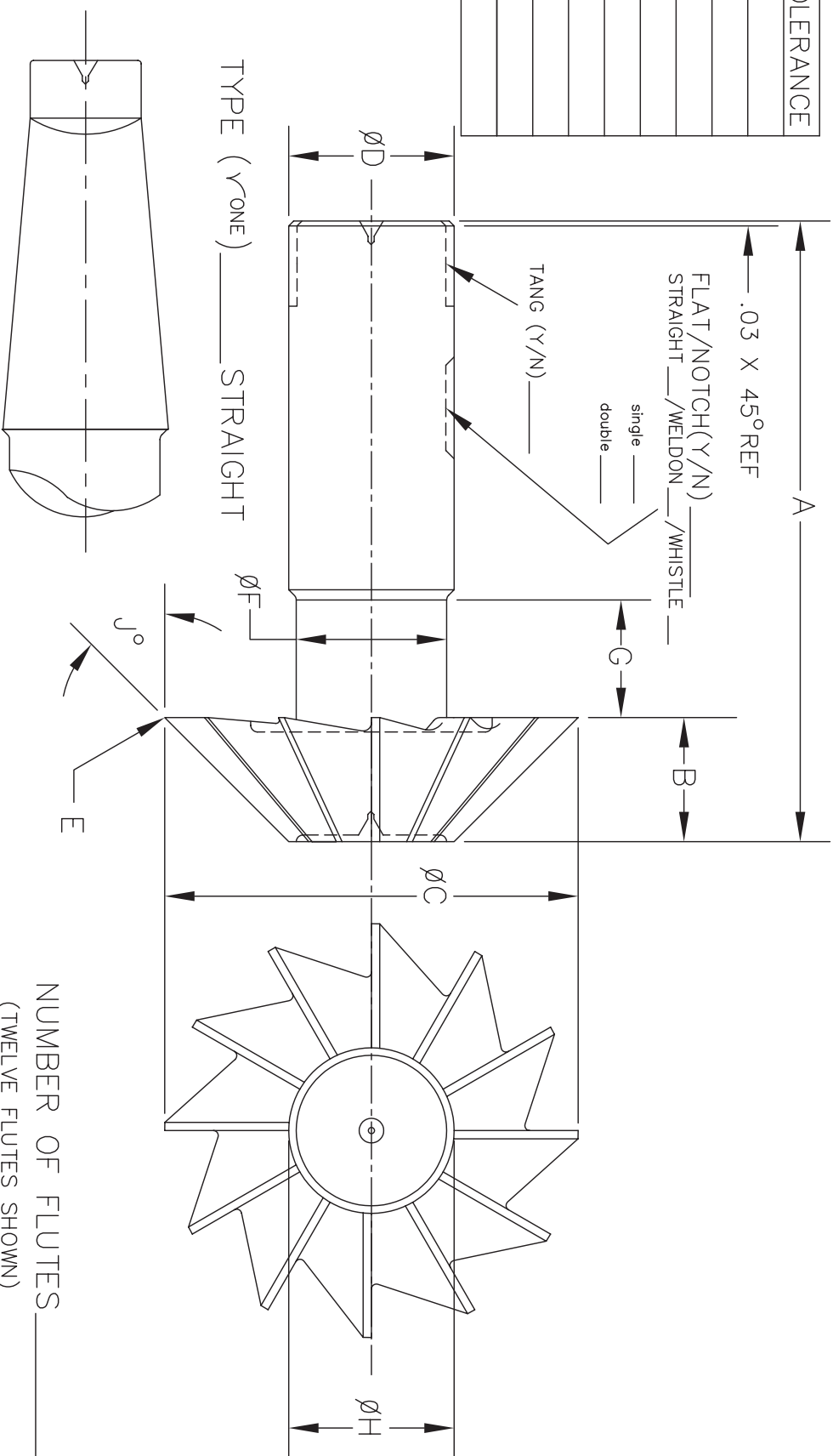


DIMENSION/TOLERANCE	
A O.A.L.	
B L.O.C.	
C DIAMETER	
D SHANK DIA.	
E RAD./CHMF.	
F NECK DIA.	
G NECK LGTH.	
H MIN. CUT DIA.	
J ° CUTTER	



TYPE (✓ONE) \_\_\_\_\_ TAPER SHANK  
 MORSE \_\_\_\_\_ B&S \_\_\_\_\_ JARNO \_\_\_\_\_

NUMBER OF FLUTES \_\_\_\_\_  
 (TWELVE FLUTES SHOWN)  
 END CUT (Y/N) \_\_\_\_\_

TOOL MAT'L. (✓ONE)

- \_\_\_\_\_ H.S.S.
- \_\_\_\_\_ COBALT
- \_\_\_\_\_ CARBIDE TIPPED
- \_\_\_\_\_ SOLID CARBIDE
- \_\_\_\_\_ CARBIDE/HEADED

COATING \_\_\_\_\_

COMPANY	
NAME	
DATE	
SIGNATURE	
TITLE	

SPECIAL SINGLE ANGLE CUTTER

CONFIDENTIAL

ALL DIMENSION ARE IN INCHES  
 UNLESS OTHERWISE SPECIFIED  
 TOLERANCE IS:  
 X ±1.00'  
 .XX ±.010  
 .XXX ±.005  
 .XXXX ±.0005  
 BREAK ALL SHARP EDGES

AMERICAN TOOL SERVICE, INC.  
 7007 TRAFALGAR STREET  
 FORT WAYNE, IN 46803

PH.260-493-1230  
 FX.260-493-6702

SCALE

NOT TO SCALE

DRAWING NO.