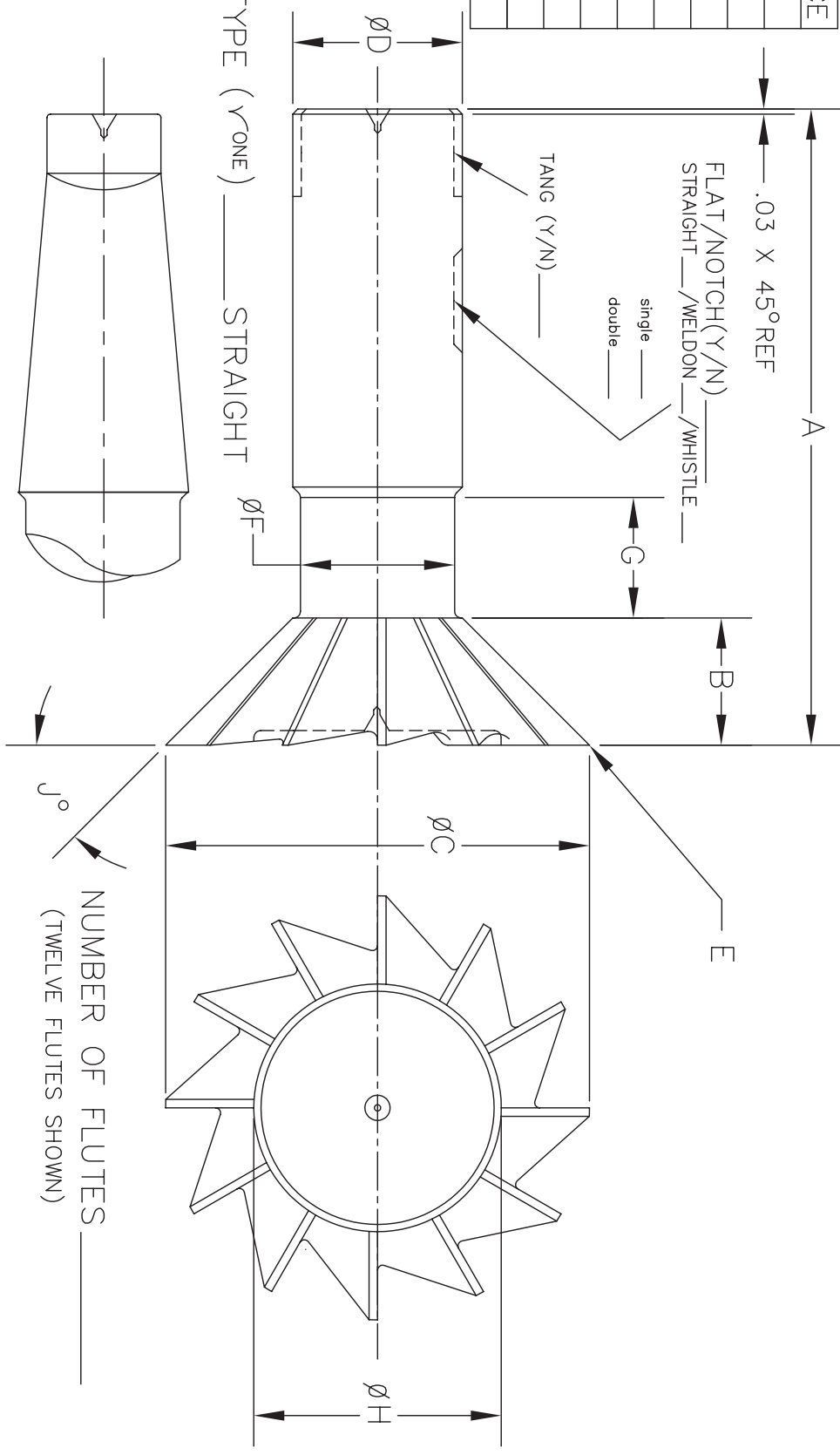


DIMENSION/TOLERANCE	
A O.A.L.	
B L.O.C.	
C DIAMETER	
D SHANK DIA.	
E RAD./CHMF.	
F NECK DIA.	
G NECK LGTH.	
H MIN. CUT DIA.	
J° CUTTER	



TYPE (✓ONE) _____ TAPER SHANK
 MORSE _____ B&S _____ JARNO _____

NUMBER OF FLUTES _____
 (TWELVE FLUTES SHOWN)
 END CUT (Y/N) _____

TOOL MAT'L. (✓ONE)

- _____ H.S.S.
- _____ COBALT
- _____ CARBIDE TIPPED
- _____ SOLID CARBIDE
- _____ CARBIDE/HEADED

COATING _____

COMPANY		
NAME		
DATE		
SIGNATURE		
TITLE		
SPECIAL DOVETAIL CUTTER		
CONFIDENTIAL		
ALL DIMENSION ARE IN INCHES UNLESS OTHERWISE SPECIFIED TOLERANCE IS: X ±1.00' .XX ±.010 .XXX ±.005 .XXXX BREAK ALL SHARP EDGES		
AMERICAN TOOL SERVICE, INC. 7007 TRAFALGAR STREET FORT WAYNE, IN 46803 PH: 260-493-1230 FX: 260-493-6702		DRAWING NO.

SCALE
NOT TO SCALE